

Hi-3224



**Economic 24 CH realtime CIF
high resolution network DVR**



H.264



DDNS



Network



PTZ



Audio



CMS



USB



Mouse



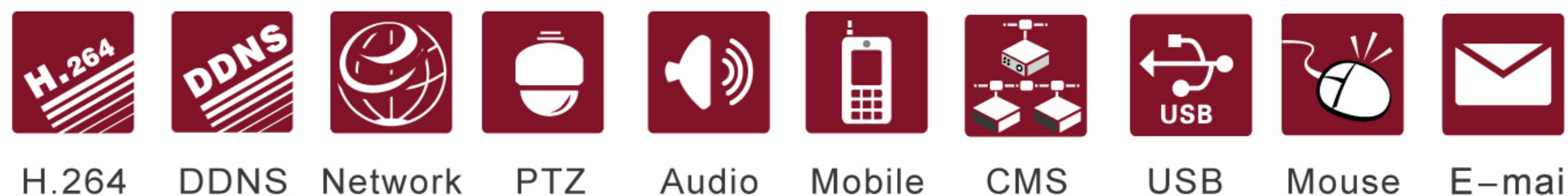
E-mail



Mobile

DVR Hi-3200 Series

Economic 24 ch real time
CIF network DVR



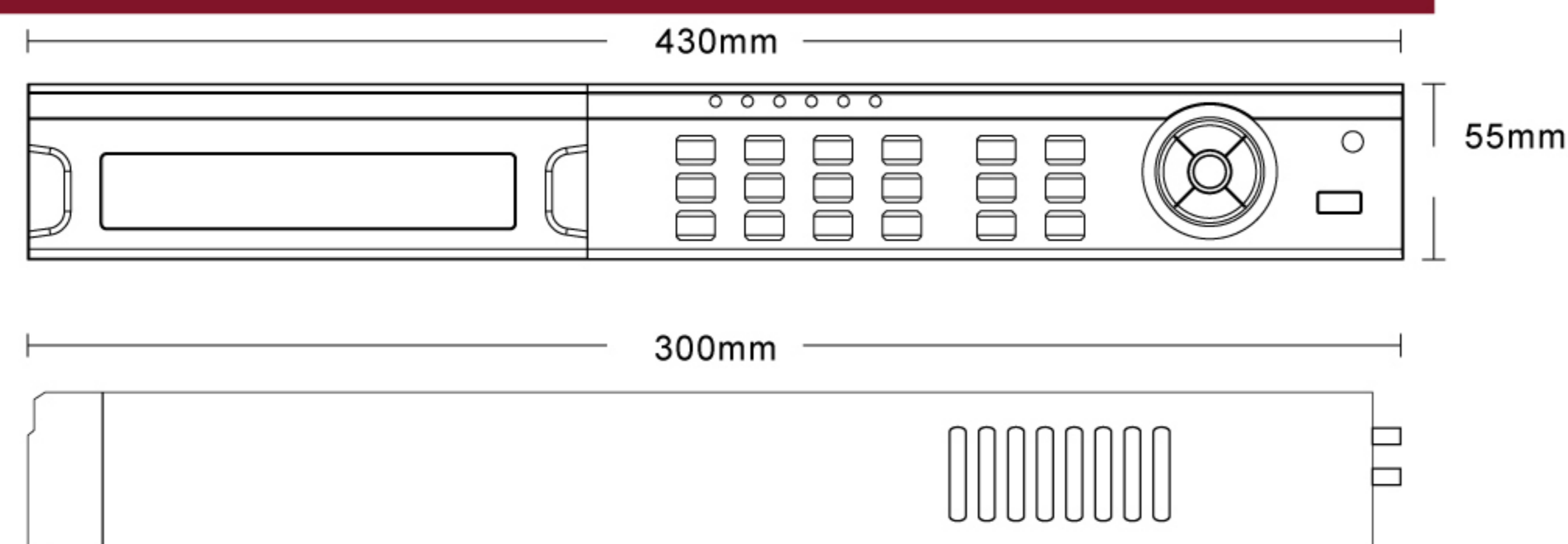
Introduction

Hi-3224 series are economic 24 ch real time CIF network DVRs, offering outstanding cost efficiency with optimized configuration. They adopt standard H.264 main profile compression format and industry's advanced SOC technic, enhancing video quality and robustness of the system. Hi-3224 support 24 ch video input, 4 ch audio input, feature simultaneous 24 ch playback, and VGA output for high resolution display. The series of product can meet different security requirements of home, financial, commerce, enterprise, transportation and government, etc.

Characteristics

- 24ch real time CIF recording, adopt Standard H.264 main profile compression to provide high-quality video at much lower bit rate than MPEG4
- Intuitive and user-friendly Graphic User Interface (GUI), Windows style operation by mouse
- Multi-mode recording: manual/timer/motion/sensor
- Playback: support 16 ch simultaneous playback
- Search: calendar/time, events (sensor, motion)
- Express and flexible backup via USB, network
- Pentaplex: preview, record, playback, backup and remote access
- DHCP, DDNS, PPPoE network protocol and CMS supported
- Remote control via IE or CMS: preview, playback, backup, PTZ and configuration
- Dual streaming technology to encode recording stream and network stream separately. User can adjust network stream to fit bandwidth without changing recording quality
- Multi-user online simultaneously
- Authorization management, log review and DVR status review
- VGA output to get clearer display using CRT or LCD monitor
- Support PTZ preset and auto cruise, up to 128 presets and 8 cruises
- Powerful smart phone surveillance supporting WinCE, Symbian, Google phone, Blackberry and Iphone, compatible with 3G
- Complete SDK software available, easy to integrate with other applications

Dimension



Specification

Item	Hi-3224	
System	Compression	Standard H.264 Main profile
	CPU	ARM9 High-performance Processor
	OS	Embedded LINUX
Video	Input	BNC x 24
	Output	BNC x 2: Main monitor, Matrix output VGA x 1: 1280 x 1024, 800x600, 1024x768
Audio	Input	RCA x 4
	Output	RCA x 1
	2-way audio	Take up 1 ch audio input
Record	Frame rate	600fps (PAL) 720fps (NTSC)
	Resolution	CIF, 352 x 288 (PAL), 352 x 240 (NTSC)
	Bit rate	128k~2Mbps
	Encode	VBR/CBR
	Quality	Five-level
	Mode	Manual, timer, motion, sensor
Play back	File	Lock, unlock, reserving time, redundancy
	Channel	16 ch
	Search	Time/calendar search, event search (motion, external alarm event)
	Intelligent search	Apply different colors to display whether a channel in a period of time recording or not
Alarm	Function	Play, pause, FF, Rewind, preview previous video& next video, digital zoom and support drag the progress bar to preview
	Mode	Sensor, motion detection, video loss
	Sensor input	16 ch
	Relay out	4 ch
Network	Triggering	Record, PTZ, alarm out, e-mail
	Interface	Rj45
	Protocol	TCP/IP, UDP, DHCP, DNS, PPPoE, DDNS, Email
Cell phone	Others	18 users online, dual streaming
	OS	Symbian, Iphone, Windows Mobile, Blackberry, Andriod
Port	Function	Multi-screen surveillance (for certain model), record, snapshot, PTZ control, save the device list
	Hard disk	SATAx3 support 2T per HDD
	RS485	Rs485 x 2, one for PTZ, another for control keyboard
	USB	USB2.0 x 2, one for mouse, another for USB backup device
Others	Remote controller	Yes
	Power supply	DC:12V
	Dimension	430 x 300 x 55mm (W x D x H)
	Work environment	0~50 C, 10%~90% (Humidity)

