

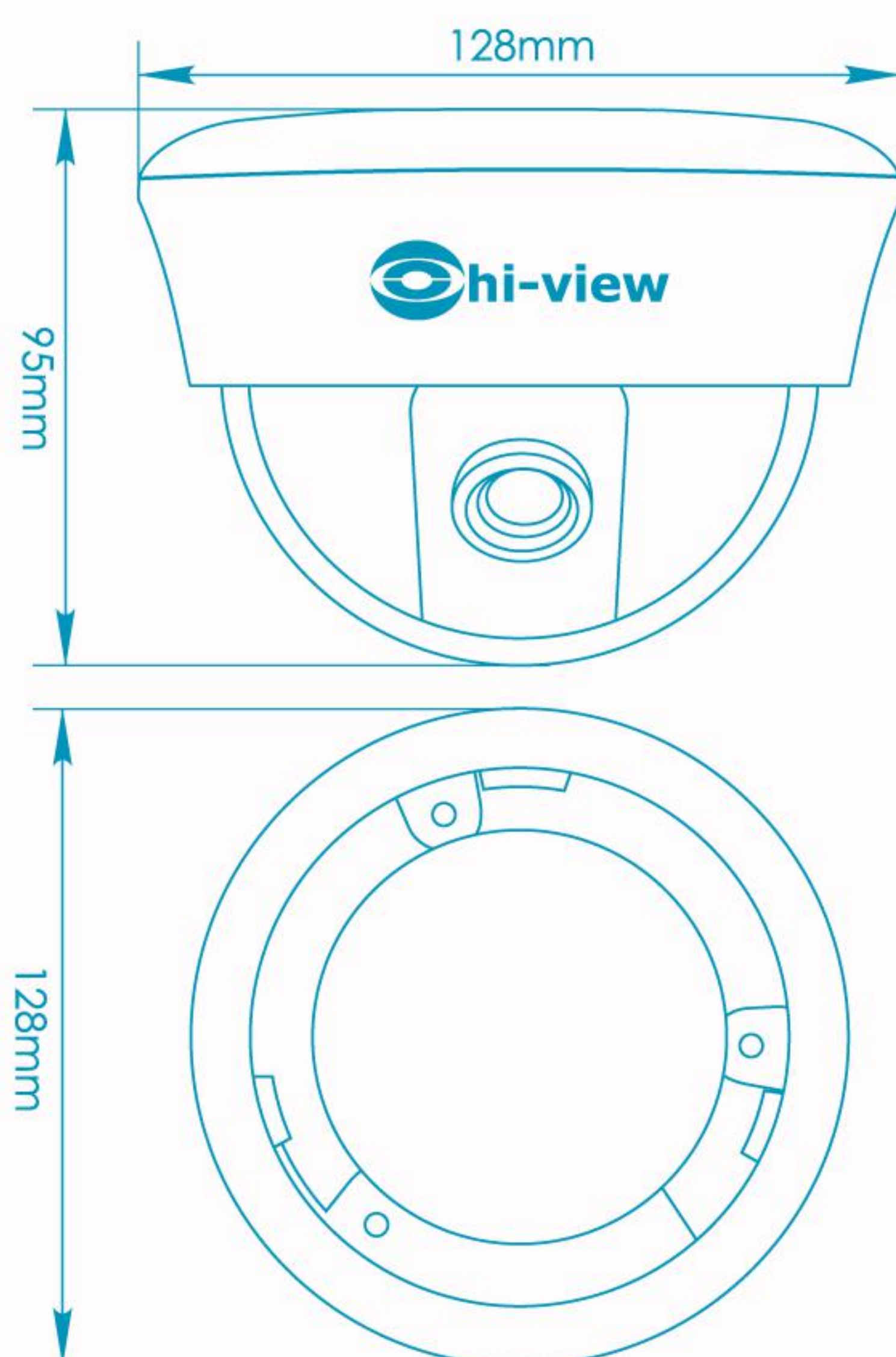
HI-762D

Features

1/3" Exview II CCD, 700 TVL
 0.008Lux Fixed Lens 3.6mm, ATW, Day/Night,
 BLC, Auto IRIS Control, Manual Focus,
 S/N More than 52dB, Power DC 12V 100 mA



Dimensions



Product Model	Hi-762D
Resolution	700 TV Line
Min. illumination(F1.2)	0.008Lux
Image Sensor	1/3" Exview II CCD
Signal System	PAL/NTSC
Synchronization	INT
Scanning System	2:1 Interlace
Scanning Frequency	PAL: 15,625Hz/50Hz; NTSC: 15,734Hz/59.94Hz
Number of effective pixels	PAL: 976 x 582/570K; NTSC: 976 x 494/480K
Chip Size	5.59 x 4.68 mm
Unit cell size	PAL: 5.0 x 6.25 μm; NTSC: 6.35 x 7.40 μm
S/N Ratio	More than 52dB
Gain Control	OFF/ON (6 ~ 44.8dB)
Backlight Compensation	OFF/ON
White Balance	ATW / PUSH / Manual / OSD Adjust
Electronic Shutter Speed	Auto: 1/50 (1/60) ~ 60,000 Sec: Manual: 12 Type
Day/Night (+D)	Auto / Color / B&W / Ext1 / Ext2
Gamma	0.45
IRIS Control	Electronic Auto IRIS
Focus Control	Manual
Lens Mount	M12
Operating Current(DC12V)	100mA
Operating Temperature	-10°C ~+ 50°C
Storage Temperature	-30°C ~+ 80°C
Relative Humidity	30% ~ 90%RH
Video Output Level	1.0Vp-p 75Ω
Connector	Standard BNC
Dimension	Φ128 x 95 mm (3-Axis)
Weight(g)	240.0
Accessory	Manual, Accessory