

HA-42B20

2.0 MP. IR Water-proof Bullet Camera
4-in-1 (AHD/TVI/CVI/CVBS)



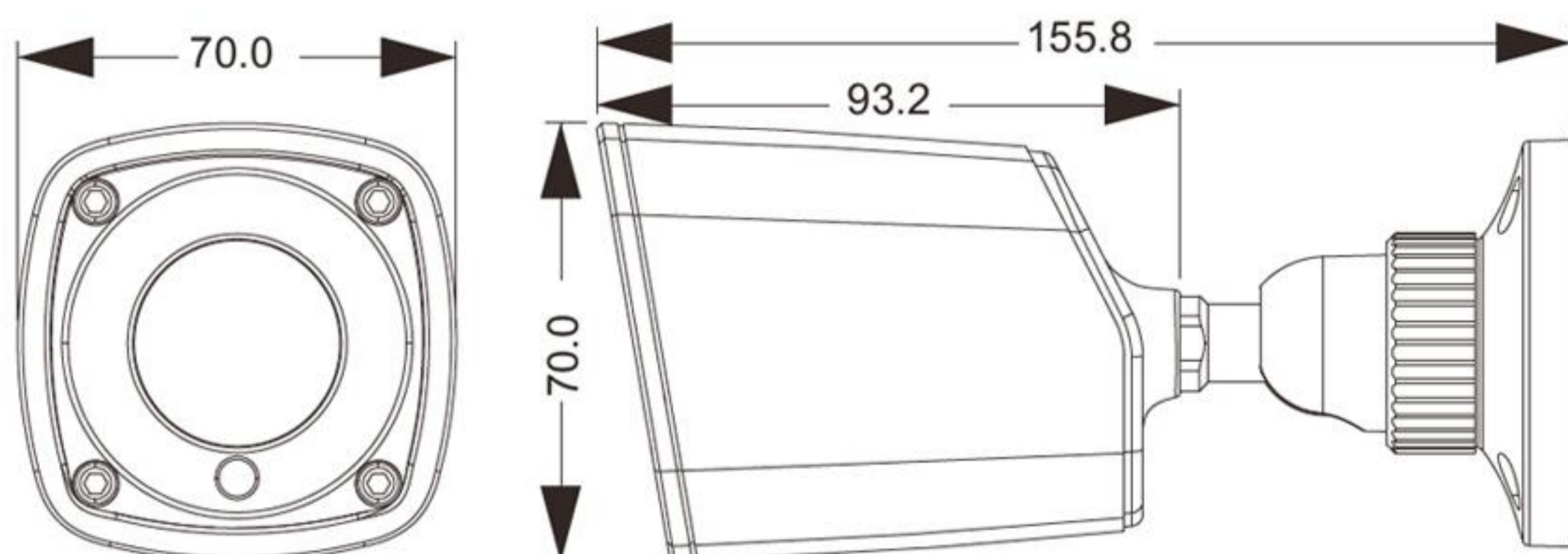
Key Fetures

1/2.9" Sony IMX323CMOS Sensor Progressive Scan
DSP V30E
Resolution 1080P
Fixed Iris Lens 3.6mm
IR LED 24Pcs./ IR Distance 10-20 Meters.
Day&Night (IR CUT)
IP66, COC, OSD Menu
Power Input DC12V±10%

Software Fetures

Support OSD Menu
Support Image Color and Brightness adjust
Support D-WDR
Support ATW
Support BLC
Support 2D DNR
Support COC

Dimensions



Packag Include Accessories

1. Camera x1 Pc.
2. Screw x3 Pcs.
3. Plastic-Conical-Anchor x3 Pcs.
4. Quick User Manual book x1 Pc.

Product Specification

Image Sensor	1/2.9" Sony IMX323CMOS Sensor
DSP	V30E
Resolution	1920x1080
Frame Rate	Max. 30fps(60Hz), 25fps (5)0Hz)
Video Output	4in1 (AHD,TVI,CVI,CVBS)
Scan	Progressive scan
Synchronization System	Internal
S/N Ratio	52B. (AGC Off)
Video System	PAL/NTSC
Min. Illumination	0 Lux (IR ON)
Electronic Shutter	1/50s to 1/100,000s(PAL) 1/60s to 1/100,000s(NTSC)
Lens Type	Fixed Iris Lens 3.6 mm.
Lens Mount	M12
Iris	Auto Electronic Iris
Day&Night	Support Day&Night
IR-CUT	CDS Control (Ext, Color, B/W, Auto)
IR Type	IR LED 24 Pcs.
IR Distance	10-20M.
IR Intensity	Support IR-SMART
OSD	Support OSD menu
Exposure Mode	Globe, Center, BLC, FLC, Gain Control,
Noise Reduction	DNR
Image Adjust	ATW, MWB, Contrast, Sharpness, Color Gain, WDR
UTC (COC)	Support COC
IP Ingress Protection	IP66
Interface	Video Output x1 (BNC Female 1.0Vp-p at 75Ω) Power input x1 (DC Jack)
Power Input	DC12V±10% /1A.
Working Temperature	-20°C~+50°C
Working Humidity	10%~90% RH
Case Material	Aluminum Build-in Bracket
Dimension	φ70x156mm.