

IR Dome Camera

Instruction Manual

Before operating the unit, please read this manual thoroughly and retain it for future reference.

Safety Precautions

DO NOT ATTEMPT TO DISASSEMBLE THE CAMERA.



Risk of Electric Shock, Do not Open



CAUTION: TO REDUCE THE RISK OF ELECTRIC SHOCK, DO NOT REMOVE COVER NO USER-SERVICEABLE PARTS INSIDE REFER SERVICING TO QUALIFIED SERVICE PERSON



This symbol is intended to alert the user to the presence of uninsulated dangerous voltage within the product's enclosure that may be of sufficient magnitude to constitute a risk of electric shock to persons.



This symbol is intended to alert the user to the presence of important operation and maintenance instructions in the literature accompanying the appliance.

Warning

- 1 This product has patented for configuration and appearance design, and copying is not permitted.
- 2 If this product fails to operate normally, contact authorized distributor. Never disassemble or modify the product in any way. Problem caused by unauthorized user disassembly or repairs are out of warranty scope.
- 3 Electromagnetic fields in specific frequency may cause image interference.
- 4 Be sure to use only the standard adapter which is specified in the specification sheet. Using other adapter could cause fire, electric shock or damage to produce.

- 5 Incorrectly connecting the power supply may result in fire, electric shock or damage to produce as well.
- 6 Do not connect multiple cameras to a single adapter. Exceeding the capacity may cause abnormal heat generation or fire.
- 7 Securely plug the power cord into power receptacle. A loose connection may result in fire.
- 8 When installing the camera on a wall or ceiling, fasten it safely and securely. A falling camera may cause personal injury.
- 9 Do not place conductive objects (e.g. screwdrivers, coins, metal things, etc.) or containers filled with water on top of the camera.
- 10 Do not install the unit in humid, dusty, or sooty locations. Doing so may cause personal injury.
- 11 If any unusual smell or smoke comes from the unit, please stop using the product. In such case, please immediately disconnect the power source and contact local authorized distributor.
- 12 Do not install the unit in humid, dusty, or sooty locations. Doing so may cause personal injury.

Cautions

- 1 Do not drop objects on the products or apply strong shock to it. Keep it away from a location subject to excessive vibration or magnetic-field interference.
- 2 Do not install in a location subject to high temperature (over 122°F or +50°C), low temperature (below 14°F or -20°C) , or may cause fire.
- 3 If want to relocate the installed products, be sure to turn off the power before moving or reinstalling it.
- 4 Remove the power plug from the outlet when there is a lightning storm. Neglecting to do so may cause fire or damage to the product.
- 5 Avoid a location which is exposed to direct sunlight, or near heat sources. Neglecting to do so may cause fire.
- 6 Install in a well-ventilated location.

- 7 Avoid aiming the camera directly towards extremely bright objects such as the sun, as this may damage the CCD image sensor.

Important Safety Instructions

- 1 Read these instructions
- 2 Keep these instructions for later use.
- 3 Pay attention that all warnings should be adhered to.
- 4 Follow all instruction.
- 5 Do not use this product near water.
- 6 Clean only with dry cloth.
- 7 Do not block any ventilation openings.
- 8 Do not install near any heat sources such as radiations, heat registers, or other product (including amplifiers) that produce heat.
- 9 Protect the power cord from being walked on or pinched particularly at plugs, convenience receptacles, and the point where they exit from the apparatus.
- 10 Only use attachment/accessories specified by the manufacturer.
- 11 For added protection for this product during a lightning storm, or when it is left unattended and unused for long periods of time, unplug it from the wall outlet and disconnect the antenna or cable system.
- 12 Refer all servicing to qualified service personnel. Servicing is required when the product has been damaged in any way, such as power-supply cord or plug is damaged, liquid has been spilled or objects have fallen into the product has been exposed to rain or moisture, does not operate normally, or has been dropped.
- 13 Do not operate the camera beyond its temperature, humidity or power source ratings. Operating temperature: 14F-122F (-20°C-50°C) ;Humidity < 85%.
- 14 Do not point the camera towards the sun; do not operate camera in a spotlight, highlight, or reflection environment.
- 15 Do not install or use the camera in the following places.
 - a) In excessive heat or cold locations

- b)** In damp or dusty locations
 - c)** In a place exposed to rain
 - d)** In a place subject to vibration
 - e)** Near a source of electromagnetic radiation (wireless/radio or television emission)
 - f)** In a place exposed to fluorescent light
 - g)** In a place under poor lighting condition
- 16** The laser beam may damage CCD. Do not project the laser beam directly into the lens of the camera.

Table of Contents

Chapter 1 Overview	5-9
Instruction	5
Specification	6-8
Package	8
Product Parts	9
Chapter 2 Operation Instruction	10-12
Connection	10
Installation	10-12
Before Installation	10
Installing the Camera	11
Cautions for Installation	11
Adjustment of Function	12
Adjustment of Monitoring Direction	12
Chapter 3 Typical CCD Phenomena	13
Chapter 4 Common Troubleshooting	14
Chapter 5 Current Maintenance	14

Chapter 1 Overview

Instruction

This is an IR dome camera. It saves costly installation time and provides more convenience and functions.

- Built-in 2.8-12mm IR 2.0 Megapixel Lens
- Ceiling Mount and Wall mount Design
- Built-in ICR
- Separated IR LED for Heat Insulation
- IR LED: $\varnothing 3 \times 42$ pcs, IR Range: 20m/60ft
- External OSD Setup
- Video Out Port for CCTV Multi-Tester
- Supported DC 12V/AC 24V (Optional)

Specification

Model No.		Effio-E		Effio-P	
Camera	TV System	NTSC	PAL	NTSC	PAL
	CCD Sensor	SONY 1/3" Super HAD II CCD		SONY 1/3" EX-view HAD II CCD	
	DSP	Effio-E		Effio-P	
	Effective Pixel	976(H)×494(V)	976(H)×582(V)	976(H)×494(V)	976(H)×582(V)
	Scan	2:1 Interlace			
	SNYC System	Internal / External			
	Resolution	650TVL(Color) 700TVL (Black & White)			
	Video Output	BNC 1.0Vp-p75ohm			
	Burst Level	0.286Vp-p			
Camera	S/N Ratio	>52dB			
	Minimum Illumination	0.01Lux of F1.2(Color) 0.001Lux of F1.2(Black & White)		0.01Lux of F1.2(Color) 0.0002Lux of F1.2(Black & White)	
	Electronic Shutter	Auto / Manual		1/50-1/100,000 sec Slow Shutter (Sens-up), WDR	
Menu	Expose Control	AES / DC Drive Auto Iris / Video Drive Auto Iris / Auto / Manual / AIS			
	White Balance	ATW / Push / USER1 / User2 / Manual / Push Lock		ATW / Push / USER1 / User2 / ANTI Color Rolling / Manual / Push Lock	
	Auto White Balance Range	—		ATW pull-in Color Temperature Range 3200 - 9500K	
	AGC	Auto / Manual		Off / Low / Middle / High	
	OSD	Yes (Cover-Opened Adjustment)			

Menu	D/N Switch	Auto / Color / Black & White / EXT1/ EXT2	
	IR	Smart IR	
	BLC	OFF / BLC / HLC	Usable While WDR OFF
	HLC	—	OFF / ON
	Image	Mirror/Lightness/Contrast/Sharpness/Color/Gain	—
	E-zoom	—	OFF / ON (X1 - X256)
	Digital Image Stabilizer	—	OFF / ON
	Digital WDR	OFF / ON 128×WDR (52dB)	—
	WDR	—	OFF / ON
	Flicker- Less	—	OFF / ON (External Control, Optional)
	ATR	—	OFF / ON
Menu	Motion Detection	OFF/ON	OFF/ON
	Privacy Masking	OFF/ON	OFF/ON(15Masks)
	Mirror	ON / OFF (Left/Right)	ON / OFF (Left/Right/Up/Down)
	NR	2DNR	2D/3DNR
	Sharpness	1 - 255 Adjustable	
	Menu Language	Chinese / English / Japanese / German / French / Russian / Portuguese / Spanish	
Lens	Model	1/2.7" 2.8-12mm 2MP IR	
	Angle of View	92°~27.2°	
	Vari-focal Adjustment	Cover-Opened Adjustment	

Lens	Lens Mount	φ14
	Day & Night	IR Cut Filter with Auto Switch
	Iris	Fixed
General	Power Supply	DC12V ± 10%, Support DC12V/AC24V Dual Voltage Power Supply
	Power Consumption	Max. 1W (Max. 7 W with IR Cut Filter ON)
	Operating Conditions	-20°C~50°C
	IR Light	φ 3×42pcs IR LEDs
	IR Range	20m/60ft±3m/10ft
	Bracket	3-AXIS Concealed Cable Bracket
	Dimension	106.5mm×106.5mm×109.3mm
	Weight	460g

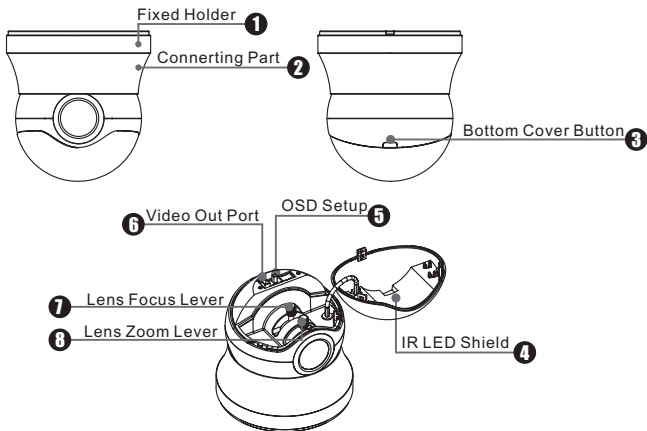
*Design and Specifications are subject to change without notice.

Package

Check the contents of package. The following items are included.

- One User Manual
- One dome camera
- Three fixed screws
- One L-type screw driver

Product Parts

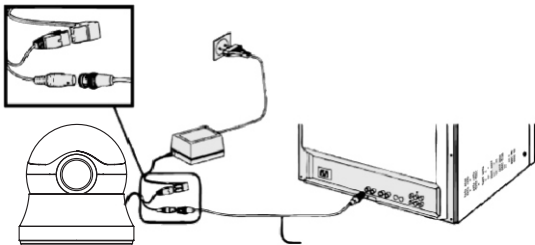


Function of product parts

- 1** Fixed Holder — Fixing the camera to the ceiling or wall
- 2** Connecting part — Fixing the camera body to the connector and fixing the monitoring direction
- 3** Bottom Cover Button — Opening the IR LED Shield
- 4** IR LED Shield — Sealing the IR LEDs
- 5** OSD Setup — Setting the functions
- 6** Video Out Port — Connecting the CCTV multi-tester to check the image
- 7** Lens Focus Lever — Adjusting the focal length of lens
- 8** Lens Zoom Lever — Adjusting the focal length of lens

Chapter 2 Operating Instruction

Connection



- 1 Connect one end of the BNC Cable to the terminals of the monitor.
- 2 Connect the other end of the BNC Cable to the VIDEO OUT
- 3 Then, plug in the power adapter into the power receptacle. The screen will be displayed when the monitor is on.

Installation

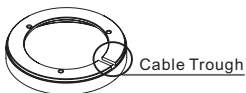
● Before Installation

Read the cautions before installation:

- 1 Make sure the installation location can support 5 times the total weight of the bullet camera.
- 2 Be careful not to let the cable be jammed in inappropriate places or to let the insulation covering of the cable peel off during installation. This may result in malfunction or a fire hazard.
- 3 Make sure that nobody is beneath the installation location, and remove the camera if anything urgent needs dealing there.

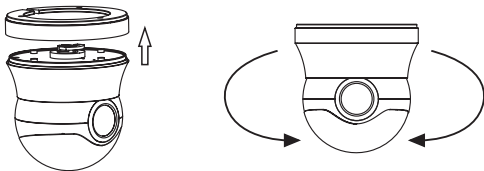
● Installing the Camera

Installation process is illustrated as below

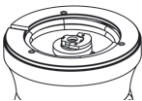


Step1: The side of the fixed holder facing up, to be mounted to the ceiling or wall with 3 connector screws.

*Pay attention to the cable trough. Put it in the direction of power supply if cables exit there.



Step2: Hold the connecting part, and put it upwards, rotate and mount it to the hooks on the connector, Pay attention to those 4 bulges. They match the hooks of the fixed holder.



● Cautions for Installation

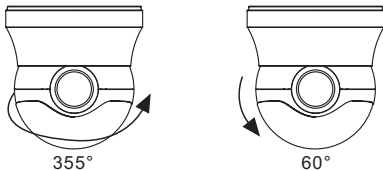
- 1 Allow the cable to pass through the hole in the middle before mounting the camera to the fixed holder.
- 2 If passing through the side, the cable must be put at the cable trough first before the camera is mounted.
- 3 Make sure that the camera has been well mounted to the hooks after installation. Reverse rotation may help confirm it. It is completely done when uneasy to release the camera.

Adjustment of Function

Press the bottom cover button. Pull it downwards to open bottom cover.

- 1 Use the video out port to connect the multi-tester with the camera, and check the image on screen.
- 2 Adjust the focal length with the lens zoom level and lens focus level according to need. After you get the clear image, tighten those two screws.
- 3 Set the functions by OSD setup.
- 4 Reassemble the bottom cover upwards.

Adjustment of Monitoring Direction



- 1 Manually hold the dome body, which can be rotated 355° in horizontal direction, 60° in vertical direction.
- 2 Rotate the dome body in one direction, then the other. (eg. Rotate it in horizontal direction firstly, then in vertical direction). This dome camera is with internal self-locking function. The latching points can be found when the dome is rotated, and the corresponding angle of each point is 2 degrees.
- 3 There are limitative block in both rotation directions.
- 4 Be cautious that trying too hard may damage the block, and that can consequently cause damage to the cables inside the dome.

Note: After the adjustment of monitoring direction is done, fasten the connecting part to fix the surveillance position.

Chapter 3 Typical CCD Phenomena

The following effects on the monitor screen are characteristic of CCD cameras.

They do not indicate any fault with the camera.

Smear

This occurs when shooting a very bright object such as electric lighting, the sun, or a strong reflection. This phenomenon is caused by an electric charge induced by infrared radiation deep in the photosensor. It appears as a vertical smear, since the CCD imaging element uses an interline transfer system.

Vertical aliasing

When you shoot vertical stripes or lines, they may appear jagged.

Blemishes

A CCD image sensor consists of an array of individual sensor elements (Pixels). A malfunctioning sensor element will cause a single pixel blemish in the picture. (This is generally not a problem.)

White speckles

While CCD image pickup device is made by an accurate technique, imperceptible speckles may rarely come up on the screen due to cosmic rays and so on. This is connected to the principle of CCD image pickup device, not a malfunction. And the white speckles are easy to come up in the following conditions.

- Using the camera in high temperature
- When turning up the gain

Blooming

This is a phenomenon in which the light from very bright objects appears to overflow into neighboring areas in an image.

Note

If strong light enters a wide area of the screen, the screen may become dark. This is not a malfunction. If this occurs, avoid strong light or adjust the lens iris to reduce the light amount.

Chapter 4 Common Troubleshooting

If encounter troubles in use of the bullet camera, please refer to the following instructions. For more information, please consult nearby local authorized distributor.

Troubles	Solution
No Video Output	Check the power supply, or the connection among the cable, camera and monitor.
Malfunction	Check whether the camera is connected to the DC 12V power supply.
Light Image	Adjust the display contrast of the monitor; Change the location if the camera is exposed to intense light.
Dark Image	Adjust the Brightness.
The situations below are not malfunction of the camera.	
Vertical Streak	It may appear when the camera is exposed to intense light.
Fixed Image Clutter	When the camera is in high temperature environment, there may be fixed image clutter on the entire monitor screen.
Jagged Image	When shooting at a ribbon-like object, a straight line or something of similar patterns, the image displayed on the monitor may be serrated.

Chapter 5 Current Maintenance

- 1 In use of the camera, regularly clean the dust and dirt on the lens surface of the camera to keep good clarity of image.
- 2 Clean the camera with dry and soft cloth. For stubborn dirt, please wipe it with a cloth dipped in a little neutral detergent, and then dry the camera with cloth.
- 3 Be careful not to use volatile impregnant like thinner, alcohol, benzene or pesticide, etc. to clean the camera, for that can damage the surface coating, and even weaken the function and performance of the camera.